



Instruction Sheet For Tool No.1005

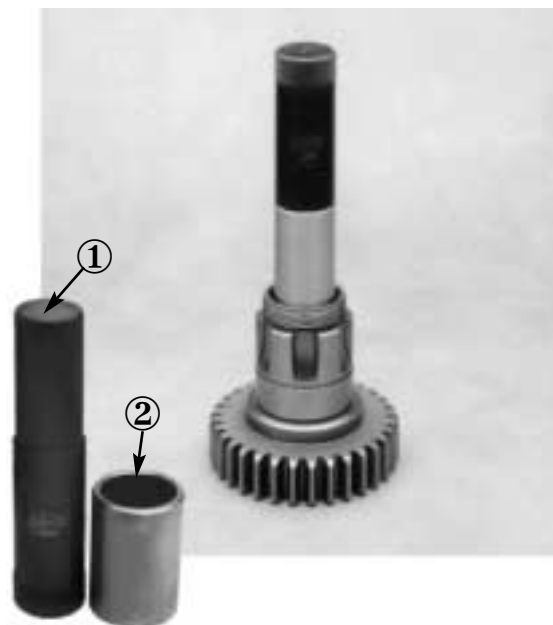
Main Drive Gear Bushing Tool

Use on Big Twin 4-Speeds 1936-86

Use to remove and install main drive gear bushing, JIMS® No.35094-65.

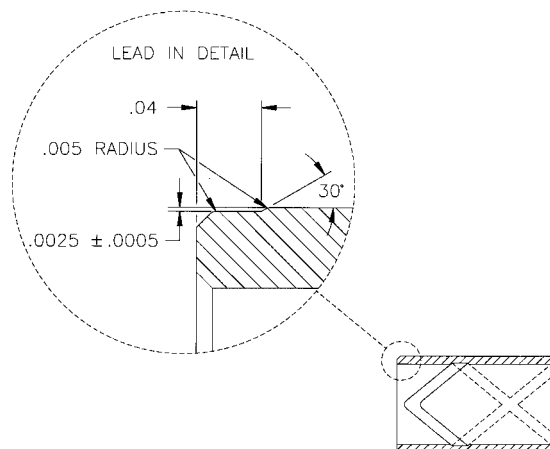
May also be used to remove 1970 and later Big Twin cam bushing

1. Refer to H.D.® Service Manual to remove main drive gear.
2. If the gear your removing bushing from has a seal in it, remove the seal (do not reuse seal).
3. Support gear, threads down with sleeve #1005-2 centered over threaded end.
4. Slip driver #1005-1 into bushing from the top side (gear end).
5. Press old bushing from gear. To remove cam cover cam bushing, remove cam seal.
6. Bolt cam cover to JIMS® cam cover holder #1041-TC, slip tool #1005-1 driver through bushing, pressing out bushing. (To install use JIMS® tool #1012-70TB and bushing #25581-70).



INSTALLING MAIN GEAR BUSHING

1. If your using a JIMS® bushing #35094-65, install bushing from gear side.
2. Apply a press fit lube, like JIMS® #2124, to both the bore of gear and bushing O.D.
3. Start bushing with the lead in end first (see detail). Press in until bushing is flush with bore, this will leave enough room for seal at the threaded end of gear.



PARTS AVAILABLE SEPARATELY

No.	Qty.	Description	Part No.
1	1	DRIVER	1005-1
2	1	SLEEVE	1005-2

CAUTION: Wear safety glasses. Excessive force may damage the parts !
See JIMS® catalog for over 100 other top quality professional tools.
The last tools you will ever need to buy.